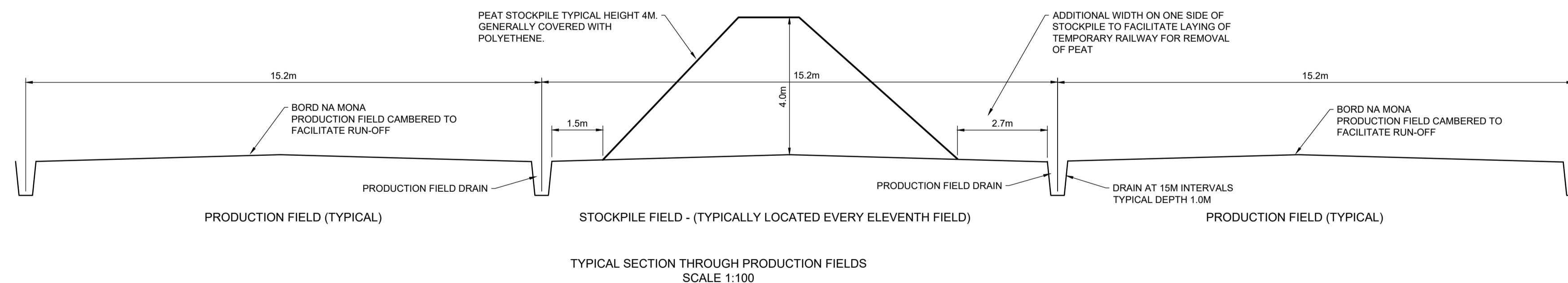
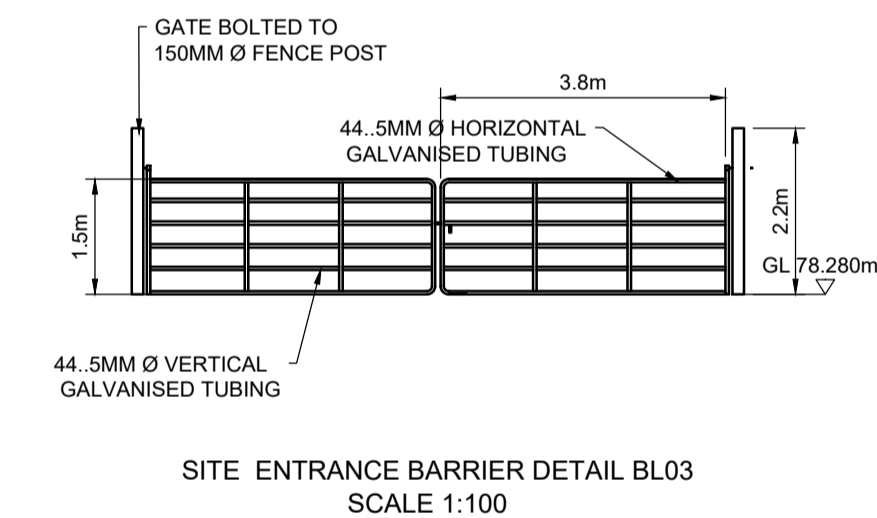
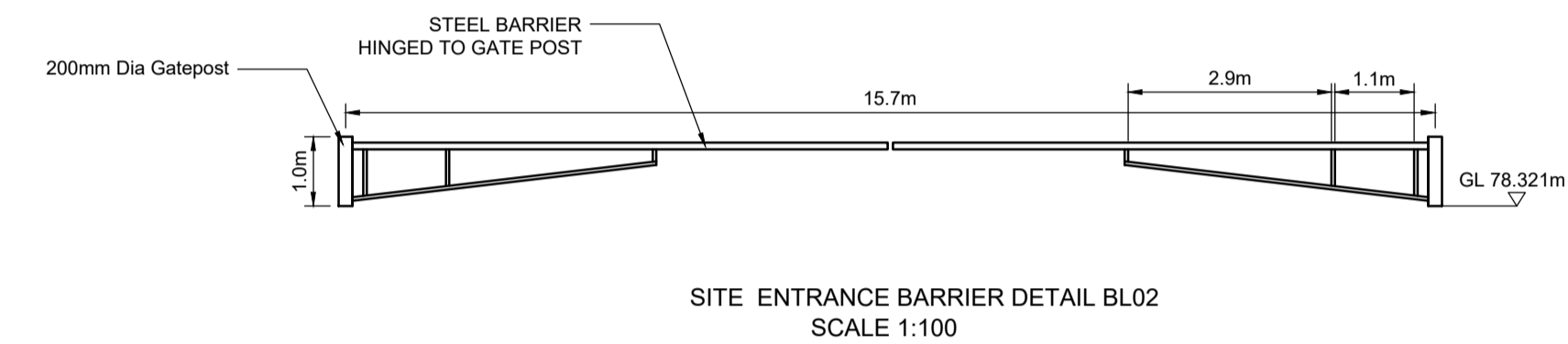
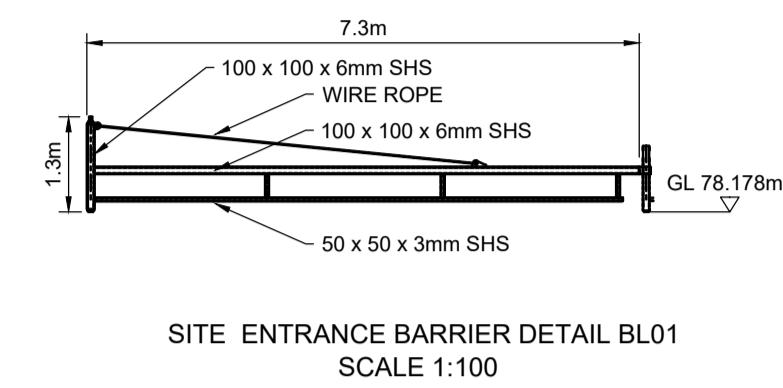
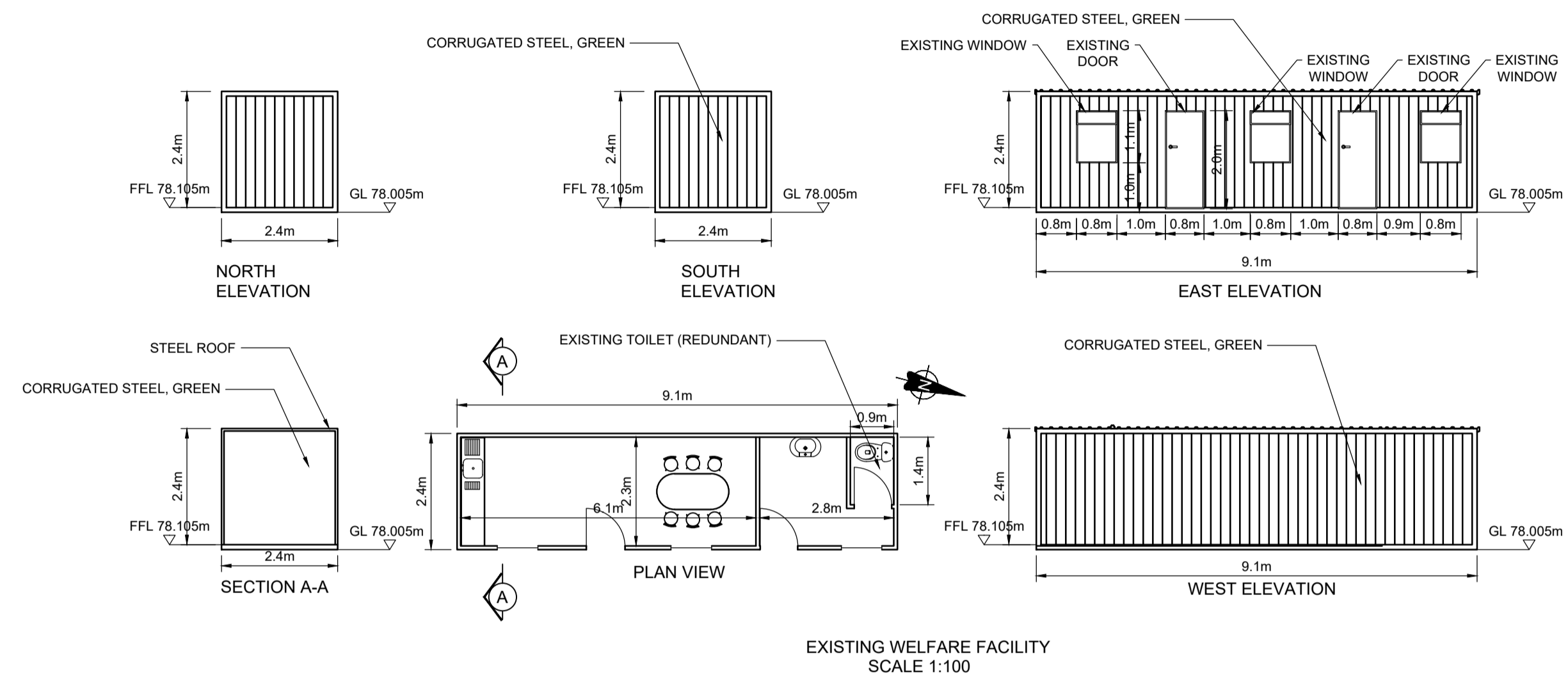


- NOTES:**
1. THIS DRAWING IS FOR PLANNING APPLICATION PURPOSES ONLY.
 2. DRAWING NOT TO BE SCALED. FIGURED DIMENSIONS ONLY TO BE USED.
 3. ALL LEVELS TO MALIN HEAD METRES ABOVE DATUM



Project: **SUBSTITUTE CONSENT APPLICATION**
BALLIVOR BOG, CO OFFALY

REVISION	By	Date	Chk'd

Title: BUILDINGS AND STRUCTURES	
Dimensions in: METRES	<p>BORD NA MONA Naturally Driven Bord Na Mona Engineering Department LEABEG, TULLAMORE CO. OFFALY Tel: 057 9345900 Fax: 057 9345160</p>
Scale: 1/100 @ A1	
Drawn By: CG 01/04/2020	
Checked By: PN 08/04/2020	
Approved By: DK 15/04/2020	
Drawing No: SC-0501-BL-DR05	Revision: 1
Sheet 1	of 1